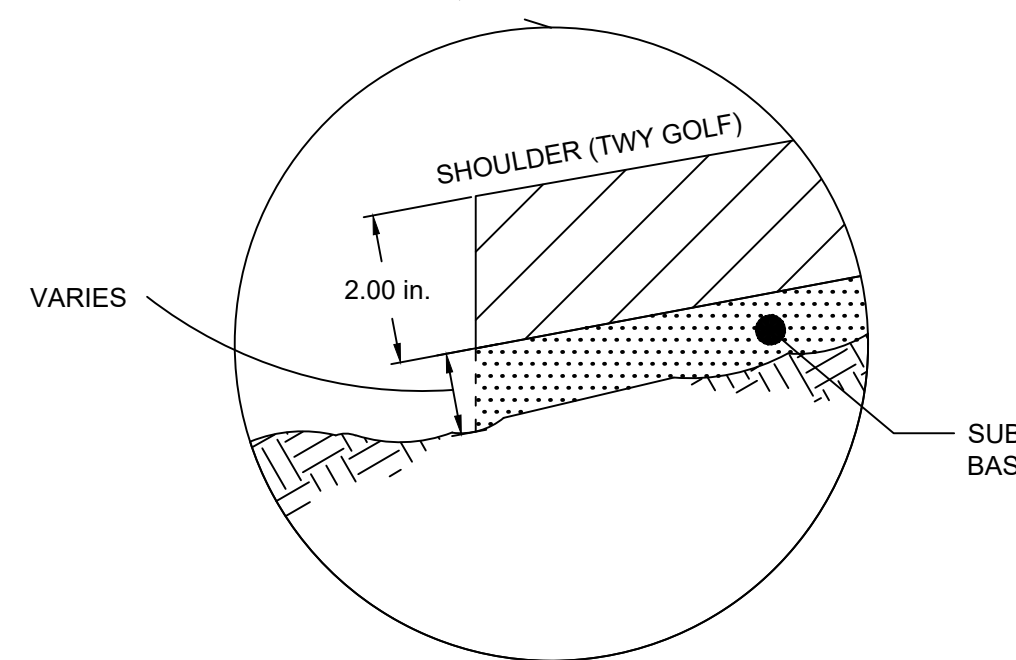
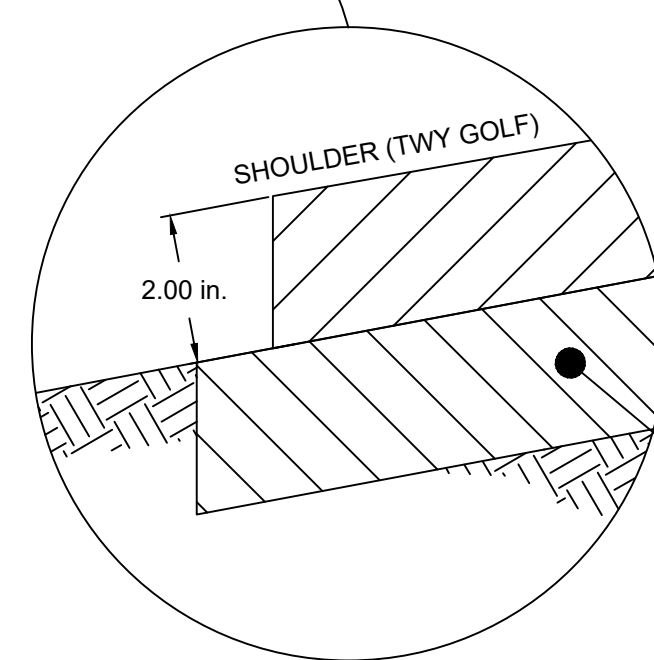
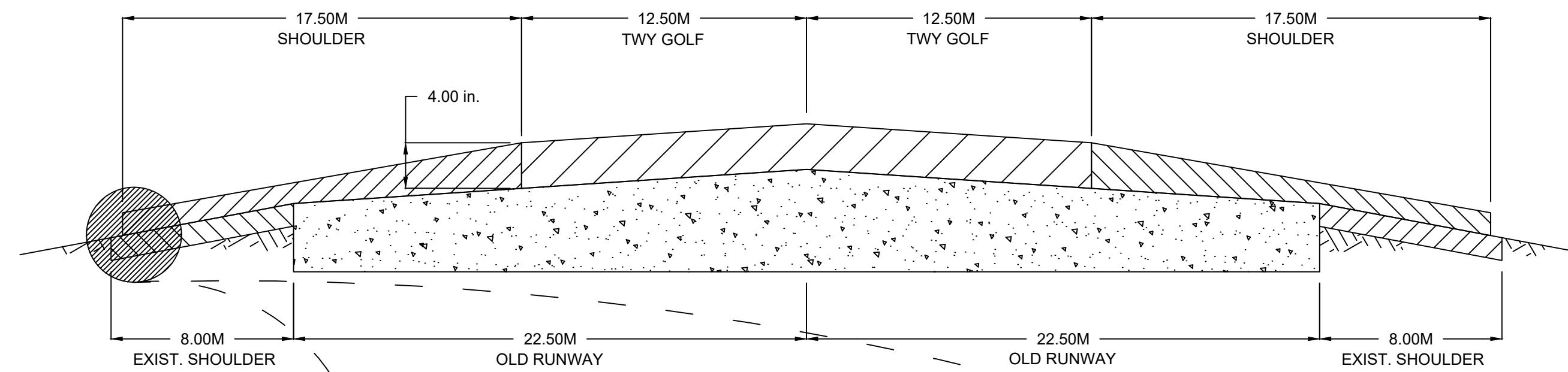


A TYPICAL TAXIWAY CROSS SECTION - DETAILS
 TD-1 SCALE: N.T.S.



- LEGENDS:
- EXISTING SUBGRADE
 - LEAN CONCRETE
 - AC PAVEMENT
 - PCC PAVEMENT
 - SUB BASE

B OLD RUNWAY (TAXIWAY GOLF) TYPICAL CROSS SECTION
 TD-1 SCALE: N.T.S.

NOTE:
 1. IF THIS DRAWING HAS BEEN RECEIVED ELECTRONICALLY, IT IS THE RECIPIENTS RESPONSIBILITY TO PRINT THE DOCUMENT TO THE CORRECT SCALE.
 2. THIS DRAWING SHOULD BE READ IN CONJUNCTION WITH OTHER RELEVANT DRAWINGS AND SPECIFICATIONS.
 3. ALL DIMENSION IN METER UNLESS OTHERWISE SHOWN.

CONSULTANTS:	DRAWN BY:	A.F.T.	SUBMITTED BY:	 CLARK INTERNATIONAL AIRPORT CORPORATION	RECOMMENDING APPROVAL:	APPROVED BY:	PROJECT TITLE :	DRAWING STATUS:	FINAL	SET NO.	SHEET NO.
 Urban Integrated Consultants, Inc. <small>UICI Corporate Bldg., 8 Landa Street, VASRA, Diliman, Quezon City, 1128</small>	CHECKED BY:	L.C.L.	 EFREN L. DAVID <small>PRESIDENT - UICI</small>		JAIME ALBERTO C. MELO <small>VICE PRESIDENT AIRPORT OPERATION MANAGEMENT GROUP</small>	 ALEXANDER S. CAUGUIRAN <small>PRESIDENT / CHIEF EXECUTIVE OFFICER</small>	CONSTRUCTION OF THE HORIZONTAL INFRASTRUCTURE PROJECT OF THE CLARK INTERNATIONAL AIRPORT NEW TERMINAL BUILDING PROJECT (FORMERLY CLARK AIRPORT LOW COST TERMINAL)	REVISION Δ : JULY 9, 2018 REVISION Δ : JULY 16, 2018	TD-2 76 116	DATE: JULY, 2018	
	DWGS. CHK. BY:	A.T.C.				SHEET CONTENTS:	TYPICAL TAXIWAY CROSS SECTION - DETAILS OLD RUNWAY (TAXIWAY GOLF) TYPICAL CROSS SECTION				